

WL3140

30W Wall Light

Description

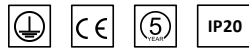
No visible screws;
Built-in driver;
Wall Lamp for indoor use.

Finish

Black/White/Brass

Material

Aluminium



TECHNICAL CHARACTERISTICS

Light source

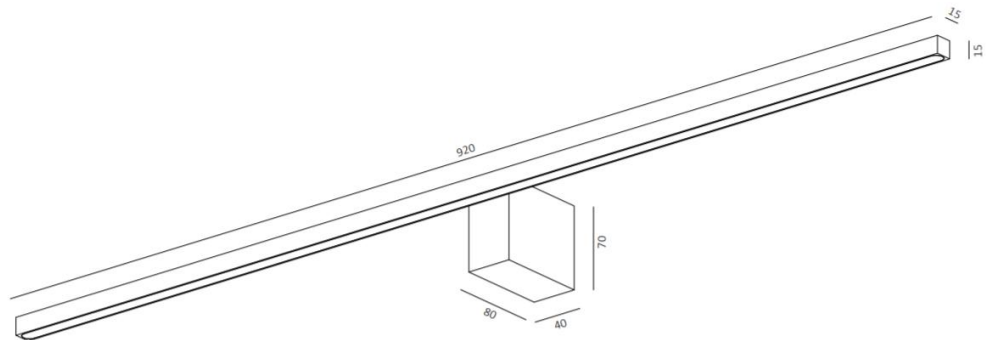
Light source: SMD LEDs
Output (W): 25.2W (700mA 36V)
Total power consumption (W): 30W
Color temperature: 2700K/3000K/4000K
CRI: ≥ 90
Photobiological risk: RG1
Real Lumen: 1920lm
Qty Leds: 144pcs
Lm/Real W: 64
Life Time: 50.000h L90B10
MacAdam steps: 3
UGR: 19

Gear

This product is supplied with gear.
ACTEC Triac dimming
RS-30-700T 700mA 21-42V-RCM certificate

Luminaire

Wall light suitable for indoor areas
crossing: No
Warranty: 5 Years



The photograph may not match the reference exactly. Please read the product description to identify the finish.